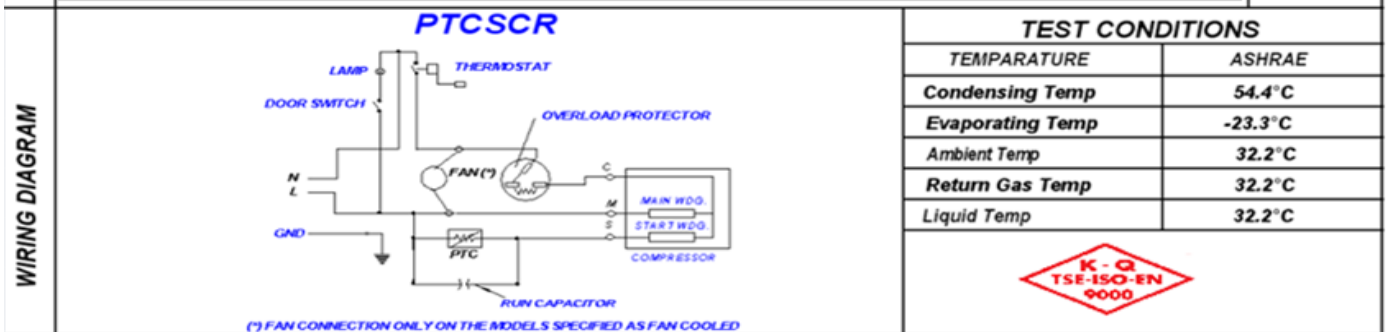
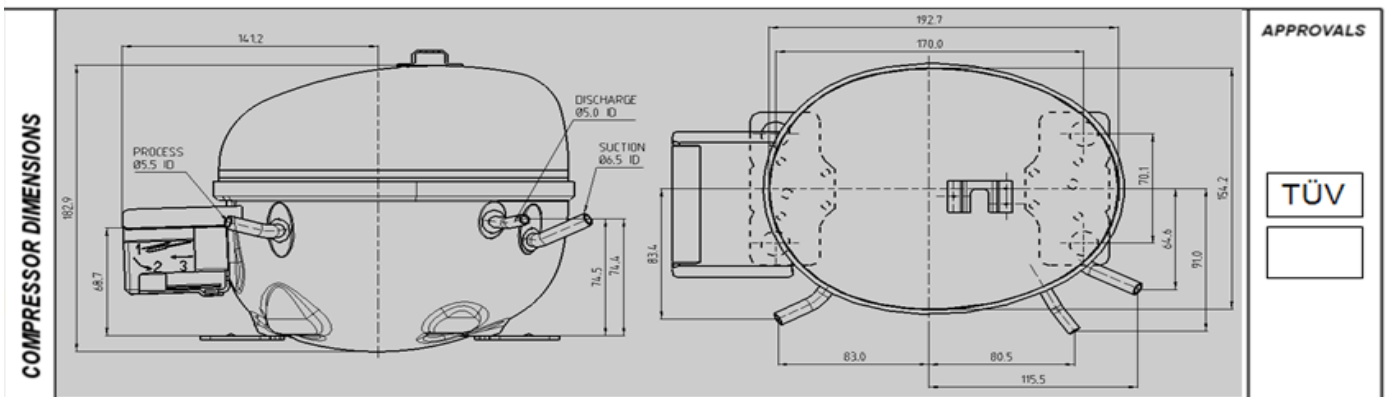


TURK ELECTRIC HERMETIC COMPRESSORS TECHNICAL DATA SHEET

NTU	170MT	220-240 V	50 Hz	L.B.P.	R 600a	STATIC	PTCSCR
Serial	Model	Voltage	Frequency	Application	Refrigerant	Comp. Cooling	Motor Design

PERFORMANCE (ASHRAE)	APPLICATION	ELECTRICAL COMPONENTS
Capacity 170 Kcal/hr	Evaporating Temp.Range -35 to -10 °C	RELAY Mark Sensata
Current 0,59 Amps	Refrigerant R 600 a	Model 8EA 19 E61
Input 120 Watt	Expansion Device C	Min Drop Out - Amps
C.O.P. 1,65 W/W	Compressor Cooling STATIC	Max Pick Up - Amps
E.E.R. 1,42 Kcal/Wh	Max.Ambient Temp. 43 °C	PTC Relay Resistance 15 Ohms
Capacity 149 W (Cecomaf)		
C.O.P. 1,49 W/W (Cecomaf)		
COMPRESSOR DATA	MOTOR DATA	OVERLOAD PROTECTOR
Design Reciprocating	Motor Code 170-AP4	Mark Sensata
Displacement 11.55 cc	Motor Design PTCSCR	Model 4TM 189 NFBYY-73
Oil Charge Quantity 175 cc	Voltage Range 176 - 242	Trip Current (25°C) 5,6 Amps
Weight 8 Kg	Starting Current (LRA) 12,4 Amps	First Trip Time (25°C) 5-15 Sec
Starting Torque LST		Nom.Disc.Temp(Open /Close) 120 / 61 °C
	WINDING RESISTANCE at 25 °C (± 5%)	Capacitor (Start) - µf
	Run 16,8 Ohms	Capacitor (Run) 5 µf
	Start 17,3 Ohms	
	Insulation Class E	



All the details are subject to change without any notice.